

# EDCON-COMPONENTS



## Technical Discription

Temperature Range: ABS= -40°C ~ +85°C  
 PC= -40°C ~ +120°C  
 Protection Degree IP66-67  
 Screw Type Enclosure

EDCON Product material is resistance to flame

This Box has 15Pos. Terminal Block.

**Easy to work because boxes are separable from terminal block**



**Terminal Box Waterproof  
 100x185x70mm**

Part No.: **H19016**

Customer:

DRW:	Jason	CHKD	Wilson	MATL:	Wilson	TOLERANCE	Mason	DATE	12.02.2010
APPD:	Schumi			FINISH	Jamy		Sheet No.	1 from 4	

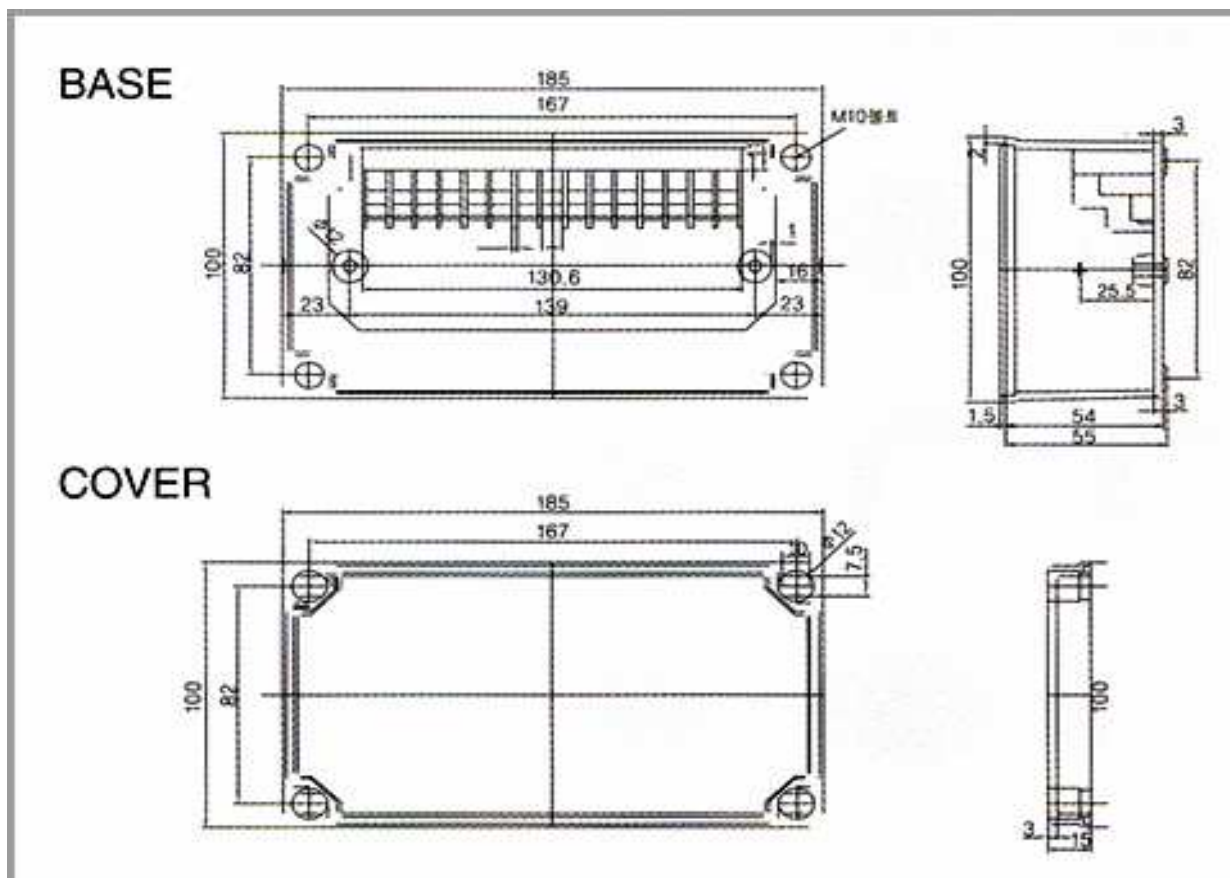
[www.edcon-components.com](http://www.edcon-components.com)

email: [info@edcon-components.com](mailto:info@edcon-components.com)

# EDCON-COMPONENTS



## Technical Drawing



**Terminal Box Waterproof  
100x185x70mm**

Part No.: **H19016**

Customer:

DRW:	Jason	CHKD	Wilson	MATL:	Wilson	TOLERANCE	Mason	DATE	12.02.2010
APPD:	Schumi			FINISH	Jamy		Sheet No.	2 from 4	

[www.edcon-components.com](http://www.edcon-components.com)

email: [info@edcon-components.com](mailto:info@edcon-components.com)

# EDCON-COMPONENTS



## Ordering Informations

Serie	Material Base	ROHS	Packing							
-------	---------------	------	---------	--	--	--	--	--	--	--

<b>H19016</b>	<b>AB</b>	<b>R</b>	<b>S</b>							
---------------	-----------	----------	----------	--	--	--	--	--	--	--

<b>AB=</b> ABS (Blue-Gray)	<b>R=</b> ROHS Conform	<b>S=</b> Standard Packing
<b>AG=</b> ABS (Gray)	<b>N=</b> NON ROHS Conform	<b>I=</b> Individual Packing
<b>PB=</b> PC Beige		

**Terminal Box Waterproof  
100x185x70mm**

Part No.: **H19016**

DRW:	Jason	CHKD	Wilson	MATL:	Wilson	TOLERANCE	Mason	DATE	12.02.2010	Customer:
APPD:	Schumi			FINISH	Jamy		Sheet No.	4 from 4		

[www.edcon-components.com](http://www.edcon-components.com)

email: [info@edcon-components.com](mailto:info@edcon-components.com)